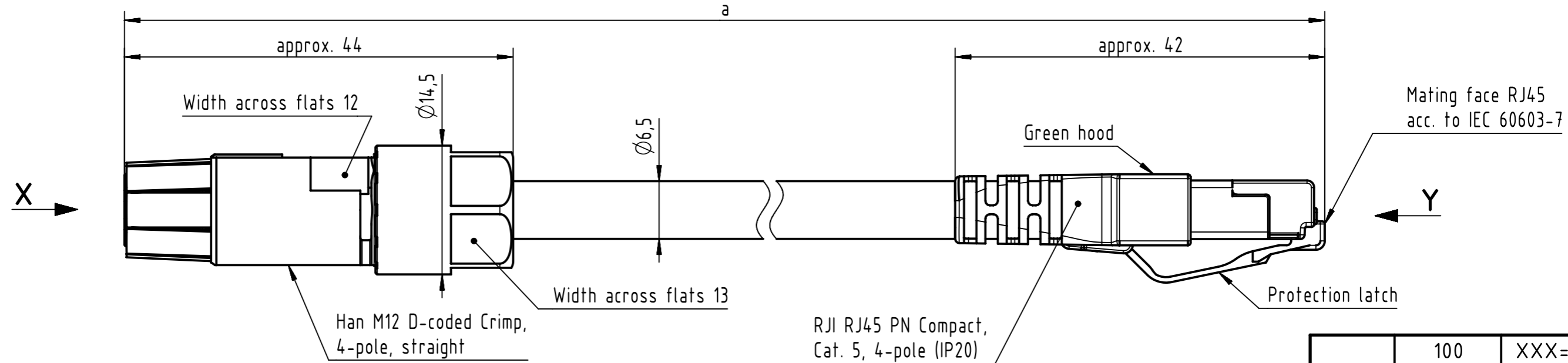
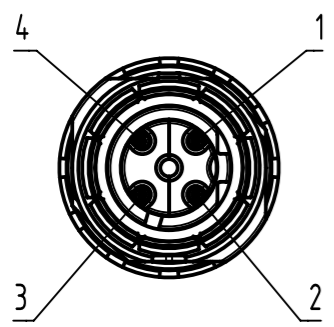


Connector Location A

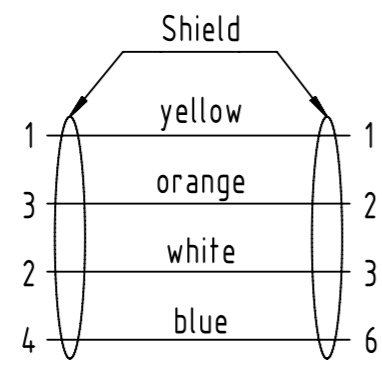
Connector Location B



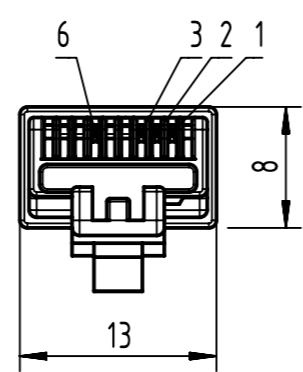
X female



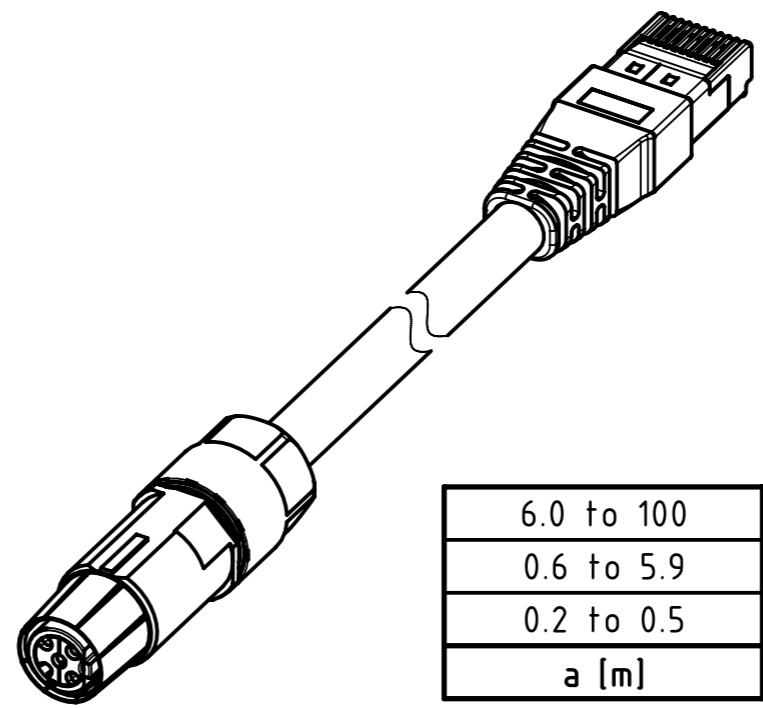
Loading Plan



Y male



RJI RJ45 PN Compact, Cat. 5, 4-pole (IP20)



6.0 to 100	±1%
0.6 to 5.9	+0.04
0.2 to 0.5	+0.02
<b>a [m]</b>	<b>Tolerance</b>

length in "1m" step	100	XXX=000
	99	XXX=990
	12	XXX=120
	11	XXX=110
length in "0.1m" step	10	XXX=100
	9.9	XXX=099
	9.8	XXX=098
	0.5	XXX=005
	0.4	XXX=004
	0.3	XXX=003
	0.2	XXX=002
<b>Step</b>	<b>a [m]</b>	<b>XXX</b>

RJI Ethernet Trailing Cable, 4xAWG 22/7, PUR, Cat. 5+, green

**Type of cable**

0948C3C6004XXX

**Part no.**

- Temperature range: -40°C ... +70°C

	All rights reserved	Created by MUNTEANV Muntean	Inspected by COSTEA Costea	Standardisation MUNTEANV Muntean	Date 2022-03-24	State Final Release
	Department HCS - RO	Title Han M12 D-cod 4-pol f - RJ45 PUR		Doc-Key / ECM-Nr. 101002957/UGD/000/A 500000214443		Rev. A
HARTING Customised Solutions D-32339 Espelkamp		Type TB	Number 0948C3C6004XXX		Page 1/1	